

HIGH PRESSURE SCREW COUPLINGS

QJM & QJF SERIES

ISO 5676

INTRODUCTION

QJM and QJF series high pressure screw 'jacking' couplers are suitable for high pressures and pressure pulse applications. Two sizes are offered, 1/4" and 3/8", with either ball or poppet valve seals, to NPTF threads. For *extremely* high pressure and high pulse applications, see QJM-SP and QJF-SP series.

FEATURES

- ✓ Designed for high pressure applications.
- ✓ The screw connection eliminates Brinelling (indentation in the retaining groove by the locking balls)
- ✓ Can be connected with a low residual hydraulic pressure in the line.
- ✓ Operating Temperatures (with NBR seals): -40°C to 106°C
- ✓ Bi-directional flow
- ✓ Compatible with high pressure pump and cylinder manufacturers (Enerpac, SPX, Larzep and Hi-force) and all high pressure screw couplers made to ISO 5676.

APPLICATIONS

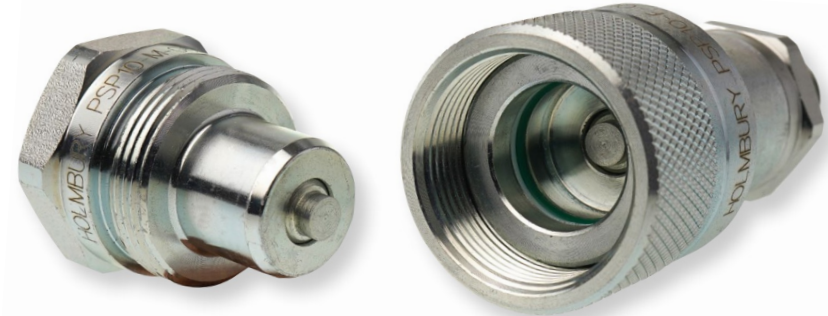
High pressure applications. General industrial Porta Power equipment, construction plant, mobile equipment, demolition, agricultural, hydraulic jacks, and torque wrenches.

MATERIALS

Zinc plated carbon steel body with nitrile seals and PTFE backing ring.

DUST CAPS/PLUGS

Steel dust caps and plugs are available for all sizes (See QJP and QJC)



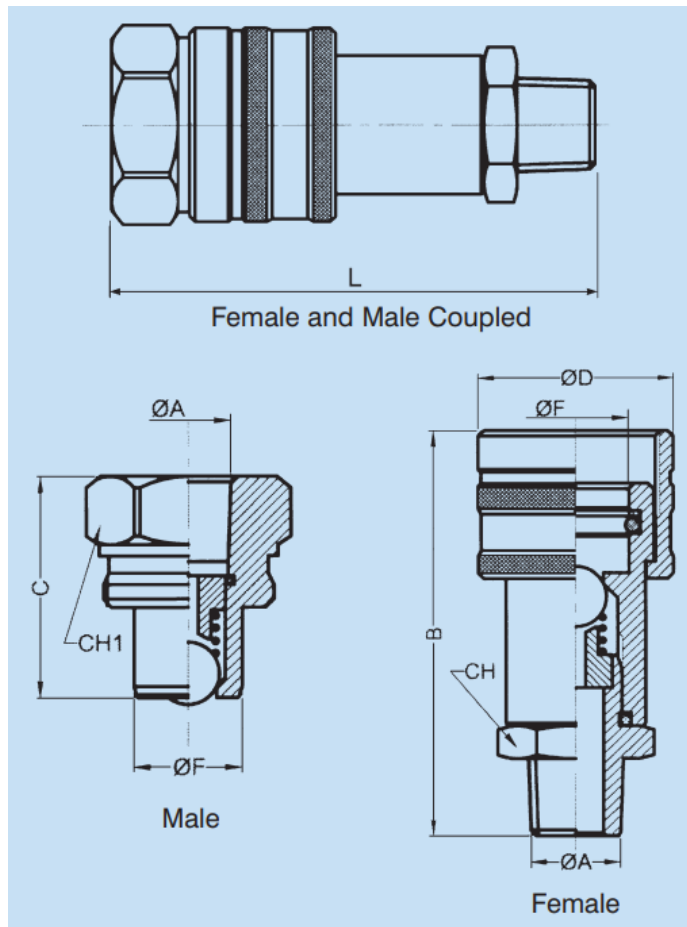
Available in BALL or POPPET valve style

Performance Characteristics	Body Size			
	1/4" Ball	3/8" Ball	1/4" Poppet	3/8" Poppet
Maximum Working Pressure (Coupled)	720 Bar	720 Bar	1000 Bar	1000 Bar
	10440 PSI	10440 PSI	14500 PSI	14500 PSI
Burst Pressure (Coupled)	2160 Bar	2160 Bar	2160 Bar	2160 Bar
	31320 PSI	31320 PSI	31320 PSI	31320 PSI
Burst Pressure (Male)	1440 Bar	1440 Bar	2160 Bar	2160 Bar
	20880 PSI	20880 PSI	31320 PSI	31320 PSI
Burst Pressure (Female)	1400 Bar	1400 Bar	2100 Bar	2100 Bar
	20300 PSI	20300 PSI	30450 PSI	30450 PSI
Rated Flow	12 L/min	23 L/min	12 L/min	23 L/min
	3.17 GPM	6.1 GPM	3.17 GPM	6.1 GPM



Dimensions

(Ball valve style shown in picture below)



Male Coupler (QJM)

Part Number	Body Size	ØA (thread)	C	ØF	CH1 (hex)	L
QJM-NTF-0404 Ball	1/4"	1/4" NPTF F	32.5	15.8	19	73.6
QJM-NTF-0404 Poppet	1/4"	1/4" NPTF F	32.5	15.8	19	73.6
QJM-NTF-0606 Ball	3/8"	3/8" NPTF F	39.1	19	32	97.3
QJM-NTF-0606 Poppet	3/8"	3/8" NPTF F	39.1	19	32	97.3

Female Coupler (QJF)

Part Number	Body Size	ØA (thread)	B	ØF	CH (hex)	L	ØD
QJF-NTM-0404 Ball	1/4"	1/4" NPTF M	52.2	16	22	73.6	28.8
QJF-NTM-0404 Poppet	1/4"	1/4" NPTF M	52.2	16	22	73.6	28.8
QJF-NTM-0606 Ball	3/8"	3/8" NPTF M	73.5	19.1	25	97.3	36
QJF-NTM-0606 Poppet	3/8"	3/8" NPTF M	73.5	19.1	25	97.3	36

All dimensions in mm unless otherwise stated. Dimensions shown are for guidance only, if critical contact FC staff.

✓ The right connector
✓ The right price

www.fluidconnectors.com

NZ: +64 9 274 4830
AU: +61 8 9244 8266

